

Installation Guide

EV Charging Station

TurboDX



English

OWNER'S RECORD

model:

TurboDX EV Charging Station

serial number (s/n):

purchase date:

A NOTE ON CUSTOMER SUPPORT

Write down the serial number of your charger in the "Owner's Record" above. The serial number can be found on the side of the charger's module.

To ensure proper service, please take note of the serial number when contacting Customer Service.

SAVE THESE INSTRUCTIONS!

This manual contains important instructions for the TurboDX EV Charging Station that shall be followed during installation, operation, and maintenance of the unit.

Customer Support
1-888-833-2148

Manufacturer's Information

© 2018 Webasto Charging Systems, Inc. All rights reserved.

Webasto Charging Systems, EV Solutions, and the Webasto logo are trademarks of Webasto Charging Systems, Inc.

Corporate names, trademarks, registered trademarks, service marks, symbols, and logos stated herein are property of their respective companies.

Specifications are subject to change without notice. Images of the Dual voltage charger are representative; production models may vary. Dual voltage charger may be branded under different names.

No portion of these materials may be duplicated, used or disclosed without prior written permission from Webasto Charging Systems, Inc.

Disclaimer: This user guide includes the latest information available at the time of printing. Webasto Charging Systems, Inc. reserves the right to make changes to this user guide and/or product without further notice. Changes or modifications to this product not completed by an authorized service provider could void the product warranty.

Corporate Headquarters

Webasto Charging Systems, Inc.
EV Solutions™

1333 S Mayflower Ave, Suite 100
Monrovia, CA 91016

Phone: 888-833-2148

Website: www.evsolutions.com

SAVE THESE INSTRUCTIONS!

This manual contains important instructions for the TurboDX EV Charging Station that shall be followed during installation, operation and maintenance of the unit.




TABLE OF CONTENTS

SECTION 1: INTRODUCTION 1
Symbol Usage2
About Your TurboDX EV Charging Station2
Packaging Components4
Installation Preparation4
SECTION 2: INSTALLATION STEPS FOR WALL MOUNT 6
STEP 1-12..... 7-12
SECTION 3: TROUBLESHOOTING 13
APPENDIX 16
Specifications..... 17
High Voltage Warning 18
State of California Proposition 65 Warnings 18
FCC Information 19
Safety Features 19
Limited Warranty20

SECTION 1

INTRODUCTION

SYMBOL USAGE

DANGER		Indicates information about safety practices which, if not followed, may result in serious injury or death.
.....		
WARNING		Indicates information about safety practices which, if not followed, could result in personal injury or are necessary to prevent fire or equipment overheating.
.....		
NOTE		Indicates helpful information for installation or usage, but does not contain personnel or equipment safety related information.


ABOUT YOUR TURBODX EV CHARGING STATION


Welcome to your TurboDX EV Charging Station – our easy-to-use, compact power supply for your electric vehicle’s on-board charger. The charger supplies and manages AC power to your electric vehicle and is compatible with a variety of battery electric and plug-in hybrid vehicles.


KEY FEATURES


- Compact design
- Overheating protection
- Network flexibility (select models)
- Quick-read status indicators
- Underwriters Laboratories (UL) listed
- SAE J1772 compliant
- Auto-restart in event of ground fault or power outage


240 VAC Operation: the charger requires either a 240 VAC split phase or a 208 VAC single phase dedicated circuit. It draws a maximum of either 16-amp or 32-amp continuous current and requires a 20-amp or 40-amp rated circuit breaker. **WARNING:** This system will not work with three phase three wire delta (high-leg). Voltage from line to ground must be 120 volts.

WARNING  It is recommended that electrical circuits for use with your charger be installed by a licensed, qualified electrician. To avoid serious injury or death, installation must comply with the provisions of the National Electric Code (NEC) and all local codes. In cases of conflict between local codes and the NEC, local codes shall take precedence.

WARNING  This product must be grounded. If it should malfunction or break down, grounding provides a path of least resistance for electric current to reduce the risk of electric shock. The TurboDX will not operate unless the ground is connected. In commercial installations where multiple circuits share a conduit make sure not more than 2 DX share the same ground.

WARNING  Do NOT DROP coupler.

WARNING  If the output cable becomes separated from the charger module or the charge coupler, DO NOT ATTEMPT TO REPAIR THE CABLE YOURSELF. Contact Customer Support for assistance.

DANGER  When using your charger, basic precautions should always be followed, including the following:

- See warnings on side of charging station. Read warnings before operating the unit the first time. Read all instructions in this guide before using this product.
- Children should be supervised when in the vicinity of the charger while plugged in.
- Do not put fingers into the electric charge coupler.
- Do not use in a hazardous locations. If used in a commercial garage classified for internal combustion engine vehicles due to vapors of flammable liquids (gasoline) being present it must be installed per NEC code Article 511 (NFPA 70).

WARNING 

PACKAGING CONTENT

Inside the box you'll find:

- 1x - TurboDX EV Charging Station
- 6x - M5 x 10 mm Electronics Cover Mounting Screws
- 2x - #10 x 2" Mounting Screws with Sealing Washers

NOTE: If you are missing any of these parts, please call Customer Service 1-888-833-2148.

REQUIRED TOOLS (not included)

The following tools are required for installation:

1. Electronic Stud Finder
2. Measuring Tape
3. Carpenter's Level
4. Drill
5. T25 Torx Bit
6. Hole Saw (with pilot drill)
7. Slotted Screwdriver

INSTALLATION PREPARATION

1. Before installation, check for proper utility power requirements and disconnect power. Prepare charger mounting site.

- Turn off circuit breaker at power distribution panel and disconnect switch (if installed) before installing this charger.
- Check upstream circuit breaker; use table below to determine proper circuit breaker rating.
- Installation should be completed by a licensed, qualified electrician. Installation must comply with the provisions of all local electrical codes in country of installation.

Maximum EVSE System Current	Branch Circuit Overcurrent Protection (Circuit Breaker)
16A	20A
32A	40A

2. Charger mounting site should be located as close as possible to the dedicated upstream circuit breaker.

- Area around installation site should be free of debris and clutter.
- Do not install charger near heat source (i.e. furnace, water heater, etc.).
- Keep these instructions for future reference.
- For utility wiring, min. wire gauge size including ground wire for 16A will be 12AWG (4mm²), 32A will be 8AWG (8mm²) with 10AWG (6mm²) ground wire.

NOTE: Ensure that the circuit breaker and wire sizes are compliant with local codes. Larger size (lower AWG) wire may be required in certain regions and on longer circuits.

Keep these instructions for future reference.

DANGER



Risk of shock

Turn off circuit breaker and disconnect switch (if installed) before installation. Do not restore power to the outlet until installation is complete. Failure to follow these instructions could result in shock or electrocution.

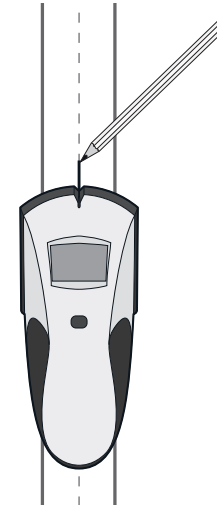
Before installation, gather all required parts and tools.

SECTION 2

INSTALLATION STEPS FOR WALL MOUNT

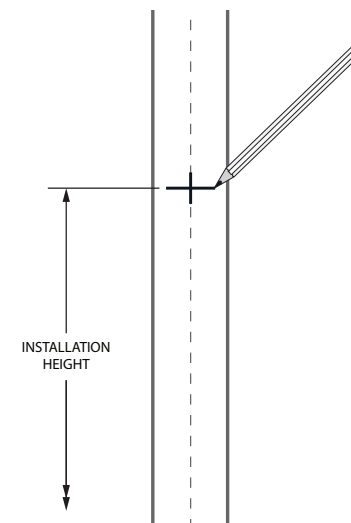
STEP 1

Use stud finder to locate wall stud. Mark the center of the wall stud with a line. For installation on a concrete wall or masonry skip to Step 2.



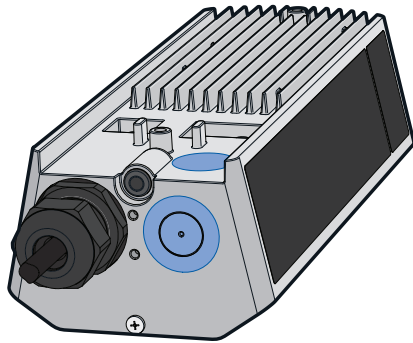
STEP 2

Measure and mark a point on the wall. Refer to local building codes for required distance from floor that the unit shall be installed.



STEP 3

Decide location of utility wiring entrance: bottom or rear entry. Use a hole saw to create hole sized for the current level of the charge; follow dimple and groove features on enclosure for hole location. Diameter of drilled holes will depend on type and size of conduit fits used.

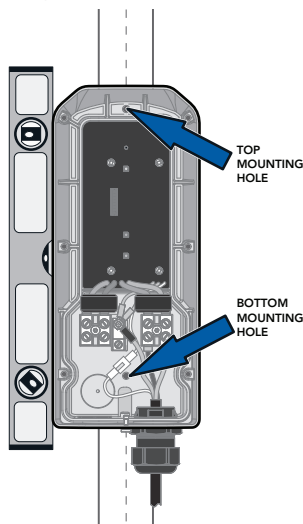


STEP 4

For pedestal installations, skip to Step 5.

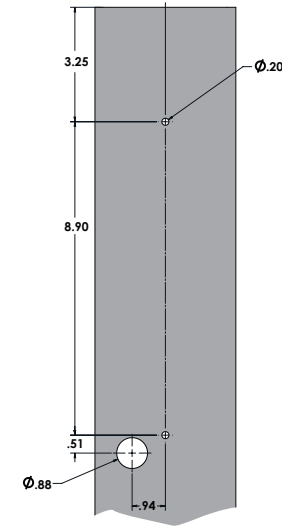
Place charging station onto the wall and align the marked point with the top. Using a T25 Torx bit, insert one mounting screw, with sealing washer, into the top mounting hole and screw directly into wall.

Use level to straighten the charging station. Fix charging station to wall by drilling the second mounting screw with sealing washer, through the bottom mounting hole. Continue installation on Step 7.



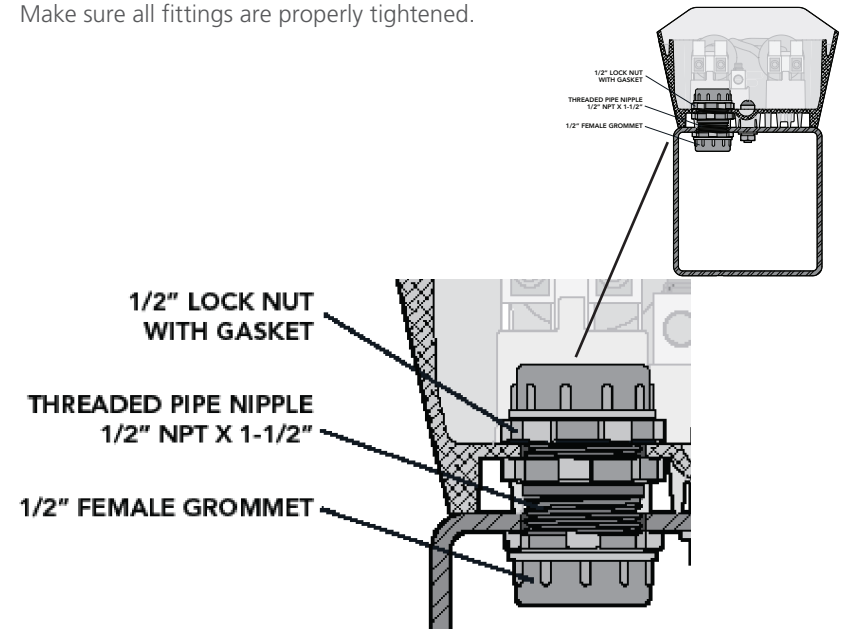
STEP 5

For installing wallbox onto a pedestal, use the dimensions shown to drill holes onto face of pedestal.



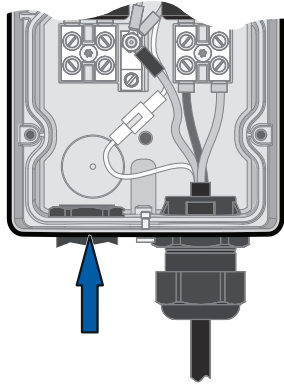
STEP 6

For rear utility power entry, installation shall use a 1/2" NPT x 1-1/2" threaded pipe nipple with three 1/2" sealing lock nuts and two 1/2" female grommets, as shown. Make sure all fittings are properly tightened.



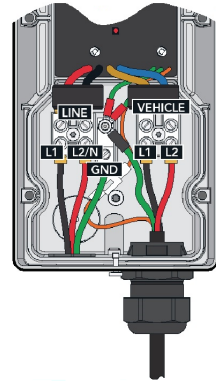
STEP 7

For bottom utility power entry, install conduit fitting and tighten locknut. Use the proper fitting for the corresponding conduit size. Verify that the fitting meets the local code requirements.



STEP 8

Make all utility power and ground wire hookups to terminal block and grounding lug inside enclosure (wiring for North America shown). Torque terminal block screws to 20 lb/in.

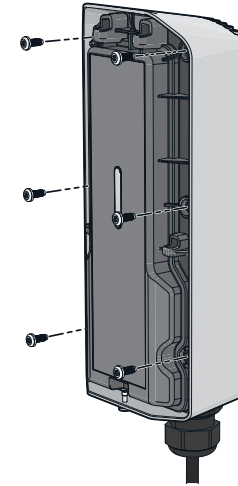


NORTH AMERICAN POWER CONFIGURATIONS			
Utility Input	L1 to GND (V)	L2 to GND (V)	L1 to L2 (V)
240V Split-Phase	120V	120V	240V
208V 3-Phase	120V	120V	208V

NEVER CONNECT TO A HIGH-LEG OR STINGER LEG
Voltage must be 120 volts from each line to ground

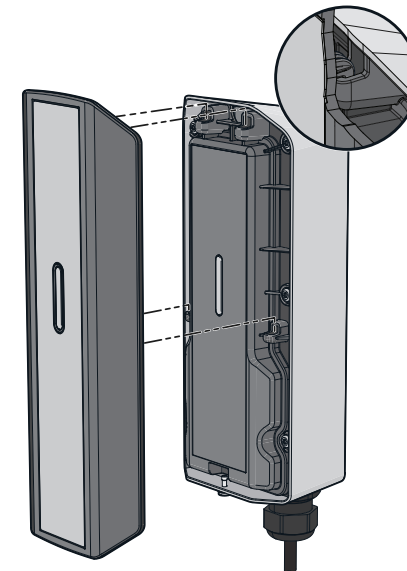
STEP 9

Install and fasten the electronics cover assembly to the enclosure using 6 screws. Screws shall be torqued to a minimum 15 ft/lbs.



STEP 10

Attach front face to front of electronics cover by inserting latches into mounting holes. Tighten captive screw on bottom of enclosure to secure cover.



STEP 11

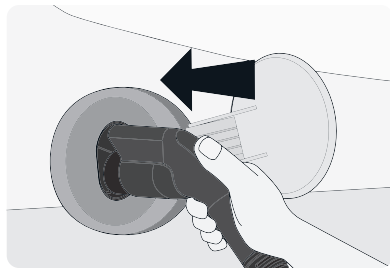
Wrap the output cable around the enclosure. Run the charger power-up procedure to prepare it for use.



STEP 12

POWER-UP PROCEDURE:

1. Turn on the circuit breaker.
2. Verify charging station is powered on.
3. During startup of the TurboDX EV Charging Station, the system goes through a self-test to ensure correct operation. During this test, the indicator light will briefly flash red to confirm the self-test is complete and the unit ready for operation. BLUE STATUS Indicator light will stay solid indicating that charger is receiving AC power and is ready to charge.
4. Plug the CHARGE COUPLER into your vehicle's charging outlet until it clicks. Once latched, the CHARGE COUPLER will not disengage unless the release button is pressed manually.
5. Charging will start automatically.



SECTION 3

TROUBLESHOOTING

TROUBLESHOOTING

Please refer to this Troubleshooting Guide for possible solutions to common errors or difficulties with charging your vehicle using your portable charger.

NOTE



Do not attempt to repair or service the charger yourself. There are no user serviceable parts inside.

A RED TROUBLE indicator may be triggered by several sources, including the charger, the utility service, or the vehicle. See troubleshooting tips below.

The RED TROUBLE indicator turns on when the charger detects an error whether it is connected to your vehicle or not. With the RED TROUBLE Indicator on, the charger will not deliver power to the vehicle. The error must be corrected before charging begins or resumes.

Problem	Possible Cause	Solution
BLUE COUPLER STATUS Indicator does not illuminate	No power to unit	Check circuit breaker.
	Charger internal failure	Contact Customer Service for assistance.
Vehicle will not charge RED TROUBLE Indicator remains solid	Charge coupler is not inserted into the vehicle	Inspect the charge coupler. Remove the charge coupler from the vehicle, then reinsert it into the vehicle receptacle until it clicks.
	Vehicle is not in a state to accept a charge	Verify vehicle charge timer is set to permit charging. Refer to the vehicle owner's manual for charge timer instructions.
	Communication error between charger and vehicle	Contact Customer Service for assistance.

Problem	Possible Cause	Solution
RED TROUBLE Indicator is blinking rapidly	Utility fault and/or poor ground	<ol style="list-style-type: none"> 1. Power cycle charger at breaker box. 2. If the condition persists, have a qualified electrician inspect the utility circuit and ground circuit integrity. The ground must be a copper wire path back to the main service. 3. Repair as required.
	Above temperature limit Cases: <ul style="list-style-type: none"> • Temperature is too high. The charger will restart charging when it cools down. 	<ol style="list-style-type: none"> 4. Inspect charger module for overheating (hot to the touch). <ol style="list-style-type: none"> a. Carefully unplug vehicle coupler and allow to cool. b. If the condition persists, contact Customer Service for assistance. 5. Remove power to the Wallbox at the circuit breaker. 6. Have a qualified electrician inspect the installation. <ol style="list-style-type: none"> a. Repair as required.
RED TROUBLE Indicator is on solid when connected to vehicle RED TROUBLE Indicator is off and BLUE STATUS Indicator is on when you unplug from vehicle	Vehicle problem	Contact Customer Service.
RED TROUBLE Indicator is on solid NOT connected to vehicle	Charger internal failure	Contact Customer Service for assistance.
RED TROUBLE Indicator and BLUE STATUS Indicator are flashing red and blue.	Charger trying to resolve internal error	Charger will return to normal operation within 1 minute. If problem persists, contact Customer Service for assistance.

APPENDIX

SPECIFICATIONS

Model	EVSE-DX
Line input power:	208/240 VAC
Output power:	16 amps continuous @ 240/208 VAC 32 amps continuous @ 240/208 VAC
Circuit breaker rating:	20 amps @ 240/208 VAC 40 amps @ 240/208 VAC
Frequency:	50/60 Hz
Power draw at idle:	< 2 watts
Power draw during charging:	< 4 watts
Cable length:	approximately 12ft (3.7m) - 25ft (7.6m)
Weight: SAE	7.6 kg (16.75 lb.)
Temperature – operating:	-40°C to +55°C (-40°F to +131°F)
Temperature – storing and transporting:	-40°C to +80°C (-40° F to +176° F)
Environmental rating:	IP66 (watertight)
Vehicle – charger communication protocol:	SAE J1772
Direction of charge:	Grid to vehicle

Specifications are subject to change without notice.

HIGH VOLTAGE WARNING

DANGER



High voltage is present in your electric meter housing and power distribution service panel. Contact with high voltage can cause death or serious personal injury.

WARNING



DO NOT operate your charger with a damaged output cable, charge coupler, or module. Visually inspect the output cable, charge coupler, and charger module for damage before each use. If you detect any damage, stop using the charger and contact Customer Support.

WARNING



ALWAYS position the charger output cable so that it will not be driven over, stepped on, tripped over, or otherwise damaged or stressed. To prevent personal injury and damage to the charger, ALWAYS stow the charger on hanger or in stowage bag after use.

WARNING



Use the charger only to supply power to electric vehicles equipped with an SAE J1772 compliant vehicle receptacle. For more information, refer to the vehicle owner's manual.

NOTE



Disconnect the charger from the wall outlet before cleaning it. To clean the charger, wipe it with a clean cloth dampened with water or a mild detergent solution suitable for use on automobile paint. Do not use chemicals or solvents. Do not submerge the charger.

STATE OF CALIFORNIA PROPOSITION 65 WARNINGS

WARNING



This product contains a chemical known to the State of California to cause cancer or birth defects or other reproductive harm.

FCC INFORMATION

This device complies with Part 15 of the FCC Rules. Operation is subject to the following two conditions:

- This device may not cause harmful interference.
- This device must accept any interference received, including interference that may cause undesired operation.

This product has been designed to protect against Radio Frequency Interference (RFI). However, there are some instances where high powered radio signals or nearby RF producing equipment (i.e. digital phones, RF communications equipment, etc.) could affect operation.

If you suspect your charger is receiving interference, take the following steps before contacting Customer Support for service:

1. Relocate nearby electrical appliances or equipment during charging.
2. Turn off nearby electrical appliances or equipment during charging.

Important! Changes or modifications to this product by anyone other than an authorized service provider will void FCC compliance.

SAFETY FEATURES

The charger is designed with your safety as the highest priority and includes the following safety features to protect against the risk of electric shock:

- **Service Ground Check:** The charger constantly checks for the presence of a service ground connection. If the service ground ever fails, the charger RED TROUBLE Indicator turns ON and shuts down power to the vehicle.
- **Thermal Event Sensor:** Charger module senses out of ordinary thermal events and will shut the unit down.
- **GFCI Protection:** The charger is equipped with a Ground Fault Circuit Interruption (GFCI) reaction system to protect against electric shock. If the charger module detects an output ground fault, it will shut down power to the output cable and illuminate the RED TROUBLE Indicator.
- **Insulation:** The charger module, adapter, cable assembly and charge coupler are completely insulated (no exposed live parts) to protect against electric shock.
- **Unintentional Disconnection:** The charge coupler is designed to minimize unintentional disconnection. A pilot signal wire in the cable and charge coupler eliminates the possibility of electric shock when not connected to a vehicle or if an unintended disconnect occurs during a charge. Disconnection during charging is safe.

LIMITED WARRANTY TURBODX CHARGER LIMITED WARRANTY

KEEP RECEIPT FOR WARRANTY CLAIMS.

Products manufactured by Webasto are warranted to the original Customer to be free of defects in material and workmanship for a period of thirty-six (36) months from the date of installation with the exception of the connector which shall be limited to twelve (12) months from the date of installation. If the Product is installed by Webasto or Webasto's authorized installation representatives, Webasto warrants that the installation of the Products shall be free of defects in workmanship for a period of thirty-six (36) months from the date of installation.

THIS IS THE SOLE AND EXCLUSIVE WARRANTY GIVEN BY WEBASTO WITH RESPECT TO THE PRODUCTS AND INSTALLATION THEREOF, AND IS IN LIEU OF AND EXCLUDES ALL OTHER WARRANTIES, EXPRESS OR IMPLIED, ARISING BY OPERATION OF LAW OR OTHERWISE, INCLUDING WITHOUT LIMITATION, MERCHANTABILITY OR FITNESS FOR A PARTICULAR PURPOSE WHETHER OR NOT THE PURPOSE OR USE HAS BEEN DISCLOSED TO WEBASTO IN SPECIFICATIONS, DRAWINGS OR OTHERWISE, AND WHETHER OR NOT WEBASTO'S PRODUCTS ARE SPECIFICALLY DESIGNED AND/OR MANUFACTURED FOR CUSTOMER'S USE OR PURPOSE.

Webasto's liability under this warranty shall be limited to repairing or replacing defective Products, at Webasto's option, without charge, any Product of Webasto's manufacture. Webasto will not be liable for any costs of removal, disposal, installation, transportation, or any other charges which may arise in connection with a warranty claim. This warranty shall be voided by damage or wear to products caused by abnormal operating conditions (including exposure to acid, chemical fumes, metallic dust or extreme temperatures), accident, abuse, damage, misuse, unauthorized alteration or repair, utility surge, Product installation by a person not certified in writing by Webasto, or if the Product was not operated or maintained in strict compliance with Webasto's printed operating instructions. Any evidence of an attempt to disassemble or reverse engineer the Products will void the warranty. Webasto is the final arbiter of the presence of facts that support a conclusion that the warranty is voided.

To obtain service under this warranty, the defective Product must have: 1) been installed by Webasto or Webasto's authorized installation representative and operated in compliance with Webasto's printed operating instructions, 2) been registered with Webasto by Customer upon installation to activate the warranty, and 3) proof of purchase (including installation date), failure date, supporting installation and operation data.

Mail Card To: Webasto Charging Systems, Inc., 1960 Walker Ave, Monrovia, CA 91016 upon installation to activate warranty. For additional warranty assistance please call 888-833-2148.

Customer Name

Address

.....

Phone #.....

Email.....

Date of Purchase

Serial Number

PLACE
SERIAL NUMBER
STICKER HERE

To download the User Manual:
visit www.evsolutions.com/ev-charging-product-resources



Guide d'installation

Borne de recharge pour véhicules électriques TurboDX



Français

FICHE DU PROPRIÉTAIRE

modèle :

Borne de recharge pour véhicules électriques TurboDX

numéro de série (n/s) :

.....

date d'achat :

.....

REMARQUE SUR LE SUPPORT À LA CLIENTÈLE

Inscrivez le numéro de série de votre chargeur sur la « Fiche du propriétaire » ci-dessus. Le numéro de série se trouve sur le côté du module du chargeur.

Pour une meilleure expérience du service, veuillez avoir noté le numéro de série avant de contacter le service à la clientèle.

VEUILLER GARDER CE DOCUMENT!

Ce manuel contient des instructions importantes pour la borne de recharge TurboDX, que nous vous conseillons de lire attentivement lors de l'installation, de l'utilisation et de la maintenance du dispositif.

Service Clients
1-888-833-2148

Informations sur le fabricant

© 2018 Webasto Charging Systems, Inc. Tous droits réservés.

Webasto Charging Systems, EV Solutions et le logo Webasto sont des marques commerciales de Webasto Charging Systems, Inc.

Les dénominations sociales, marques commerciales, marques déposées, marques de service, symboles et logos mentionnés dans ce document sont la propriété de leurs sociétés respectives.

Les spécifications sont sujettes à changement sans préavis. Les images du chargeur bi-tension sont fournies à titre d'illustration ; les modèles de production peuvent varier. Le chargeur bi-tension peut porter une marque d'un nom différent.

Aucune partie de ces documents ne peut être dupliquée, utilisée ou divulguée sans l'autorisation écrite préalable de Webasto Charging Systems, Inc.

Avertissement : le présent guide de l'utilisateur contient les toutes dernières informations disponibles au moment de son impression. Webasto Charging Systems, Inc. se réserve le droit d'apporter des modifications à ce guide de l'utilisateur et/ou au produit sans préavis. Tous changements ou modifications apportés à ce produit non effectués par un fournisseur de services agréé pourraient engendrer une annulation de la garantie du produit.

Siège social

Webasto Charging Systems, Inc.
EV Solutions™

1333 S Mayflower Ave, Suite 100
Monrovia, CA 91016

Téléphone : 888-833-2148

Site web : www.evsolutions.com

CONSERVEZ CES INSTRUCTIONS !

Ce manuel contient des instructions importantes pour la borne de recharge TurboDX, que nous vous conseillons de lire attentivement lors de l'installation, de l'utilisation et de la maintenance du dispositif.




TABLE DES MATIÈRES

SECTION 1 : INTRODUCTION	1
Description des symboles.....	2
À propos de votre borne de recharge TurboDX.....	2
Contenu de l'emballage	4
Préparation avant l'installation	4
SECTION 2 : ÉTAPES D'INSTALLATION POUR MONTAGE MURAL...	6
ÉTAPE 1-12	7-12
SECTION 3 : DÉPANNAGE	13
ANNEXE.....	16
Spécifications.....	17
Avertissement de haute tension	18
Avertissements relatifs à la Proposition 65 de l'État de Californie	18
Informations de la FCC	19
Caractéristiques de sécurité	19
Garantie limitée	20

SECTION 1

INTRODUCTION

DESCRIPTION DES SYMBOLES

DANGER		Indique des informations sur les pratiques de sécurité qui, à défaut de ne pas les respecter, pourraient entraîner des blessures graves, voire mortelles.
ATTENTION		Indique des informations sur les pratiques de sécurité à suivre afin d'éviter un incendie ou une surchauffe de l'équipement ou qui, à défaut de ne pas les respecter, pourraient entraîner des blessures.
REMARQUE		Indique des informations utiles pour l'installation ou l'utilisation de l'équipement, mais qui ne sont pas des informations relatives à la sécurité des personnes ou du matériel.


À PROPOS DE VOTRE BORNE DE RECHARGE TURBODX






Bienvenue sur votre borne de recharge TurboDX - une solution d'alimentation électrique compacte et facile à utiliser pour le chargeur intégré de votre véhicule électrique. Le chargeur contrôle et alimente la distribution de courant alternatif vers votre véhicule électrique. Il est également compatible avec une variété de véhicules électriques hybrides à batteries rechargeables.

PRINCIPALES CARACTÉRISTIQUES

- Conception compacte
- Protection contre les surchauffes
- Grande flexibilité du réseau (certains modèles)
- Indicateurs d'état rapides à lire
- Agréé Underwriters Laboratories (UL)
- Conforme à la norme SAE J1772
- Auto-redémarrage en cas de défaut de masse ou de panne de courant

Fonctionnement sous 240 VCA : le chargeur nécessite soit un circuit déphasé de 240 VCA, soit un circuit dédié à célibataire phases de 208 VCA. Il consomme un courant continu d'un maximum de 16 ampères ou de 32 ampères et nécessite un disjoncteur de 20 ampères ou de 40 ampères. ATTENTION: ce système ne fonctionnera pas avec un triangle triphasé à trois fils (high-leg/delta-surélevé) . La tension de la ligne à la terre doit être de 120 volts.

ATTENTION		Il est recommandé que les circuits électriques qui seront utilisées avec votre chargeur soient installées par un électricien agréé et qualifié. Pour éviter des blessures graves ou la mort, l'installation doit être conforme aux directives du Code national de l'électricité (NEC) et de tous autres codes locaux. En cas de conflit entre les codes locaux et ceux du NEC, les codes locaux prévaudront.
-----------	---	--

ATTENTION		Ce produit doit être mis à la terre. En cas de panne ou de défaillance, la mise à la terre fournit un chemin de moindre résistance au courant électrique, ce qui permet de réduire le risque de choc électrique. Le TurboDX ne fonctionnera que s'il est relié à la terre. Pour les installations commerciales où plusieurs circuits partagent une conduite, veuillez-vous rassurer de ne pas avoir plus de 2 DX sur le même fil de terre.
ATTENTION		Ne laissez PAS TOMBER le coupleur.
ATTENTION		Si le câble de sortie se sépare du module de charge ou du coupleur de charge, NE TENTEZ PAS DE RÉPARER LE CÂBLE VOUS-MÊME. Contactez le support à la clientèle pour obtenir de l'aide.
DANGER		Lorsque vous utilisez votre chargeur, certaines précautions de base doivent toujours être prises, notamment les suivantes : <ul style="list-style-type: none">• Consultez les avertissements sur le côté de la borne de recharge. Lisez les avertissements avant d'utiliser l'appareil pour la première fois. Lisez toutes les instructions de ce guide avant d'utiliser le produit. •• Vous devez toujours surveiller les enfants lorsqu'ils se trouvent à proximité du chargeur quand celui-ci est branché au courant.• N'insérez jamais les doigts dans le coupleur de charge électrique.• Ne l'utilisez pas dans des endroits dangereux. Si utilisé dans un garage commercial classé pour la combustion interne véhicules à moteur en raison de vapeurs de liquides inflammables (essence) présent, il doit être installé conformément au code NEC Article 511 (NFPA 70).
ATTENTION		

CONTENU DE L'EMBALLAGE

À l'intérieur du colis, vous trouverez :

- 1x - Borne de recharge pour véhicules électriques TurboDX
- 6x - Vis de montage du couvercle des composants électroniques M5 x 10 mm
- 2x - Vis de montage avec rondelles d'étanchéité n° 10 x 2 po.

REMARQUE : S'il vous manque l'une de ces pièces, veuillez appeler le service à la clientèle au 1-888-833-2148.

OUTILS REQUIS (non inclus)

Les outils suivants sont requis pour l'installation :

1. Localisateur de montants électronique
2. Ruban à mesurer
3. Niveau de charpentier
4. Perceuse
5. Embout Torx T25
6. Scie-cloche (avec foret pilote)
7. Tournevis à fente

PRÉPARATION AVANT L'INSTALLATION

1. Avant l'installation, vérifiez que toutes les exigences en matière d'alimentation sont satisfaites puis déconnectez l'alimentation principale. Préparation de l'emplacement de montage du chargeur.

- Avant d'installer ce chargeur, vous devez couper le disjoncteur sur le panneau de distribution électrique et débrancher le commutateur (le cas échéant).
- Vérifiez le disjoncteur en amont ; utilisez le tableau ci-dessous pour déterminer la valeur nominale appropriée du disjoncteur.
- L'installation doit être effectuée par un électricien agréé et qualifié. L'installation doit être conforme aux dispositions de tous les codes électriques locaux du pays d'installation.

Intensité maximum du système d'équipement d'alimentation de véhicules électriques (EVSE)	Protection contre les surintensités de circuit de dérivation (disjoncteur)
16A	20A
32A	40A

2. L'emplacement de montage du chargeur doit être situé aussi près que possible du disjoncteur en amont dédié.

- La zone autour de l'emplacement d'installation doit être exempte de tout débris et encombrements.
- N'installez pas le chargeur près d'une source de chaleur (chaudière, chauffe-eau, etc.).
- Conservez ces instructions pour toute référence ultérieure.
- Pour câblage secteur, le calibre des fils, y compris le fil de terre pour 16A, sera de 12AWG (4 mm²), 32A sera de 8AWG (8mm²) avec 10AWG (6mm²) de fil de terre.

REMARQUE : assurez-vous que le calibre du disjoncteur et du fil sont conformes aux codes locaux. Un fil de plus grande taille (calibrage AWG inférieur) pourrait être requis dans certaines régions sur des circuits plus longs.

Conservez ces instructions pour toute référence ultérieure.



Risque de choc électrique

Coupez le disjoncteur et débranchez le commutateur (le cas échéant) avant l'installation. Ne rétablissez pas le courant sur la prise tant que l'installation n'est pas terminée. Tout manquement au respect de ces précautions pourrait entraîner un choc électrique ou une électrocution.

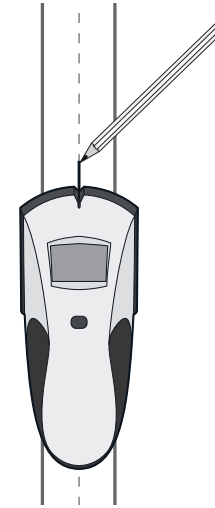
Avant l'installation, rassemblez toutes les pièces et tous les outils nécessaires.

SECTION 2

ÉTAPES D'INSTALLATION POUR MONTAGE MURAL

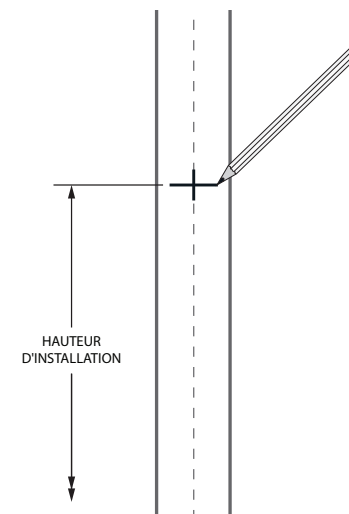
ÉTAPE 1

Utilisez le localisateur de montants pour trouver un montant de mur. Marquez le centre du montant mural par une ligne. Pour une installation sur un mur de béton ou de maçonnerie, passez à l'étape 2.



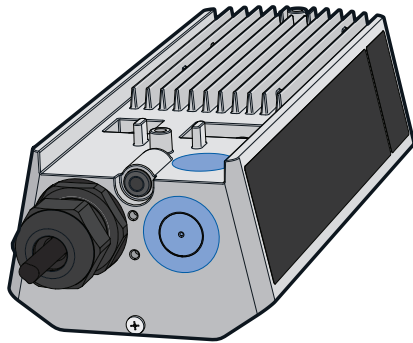
ÉTAPE 2

Mesurez et marquez un point sur le mur. Reportez-vous aux codes de construction locaux pour connaître la distance requise par rapport au sol où l'unité devra être installée.



ÉTAPE 3

Déterminez l'emplacement de l'entrée du câblage secteur : entrée par le bas ou par l'arrière. Utilisez une scie-cloche pour créer un trou de la taille appropriée au niveau de la charge ; suivez les creux et les rainures sur le boîtier pour localiser le trou. Le diamètre des trous forés dépendra du type et de la taille des adaptateurs de conduit utilisés.

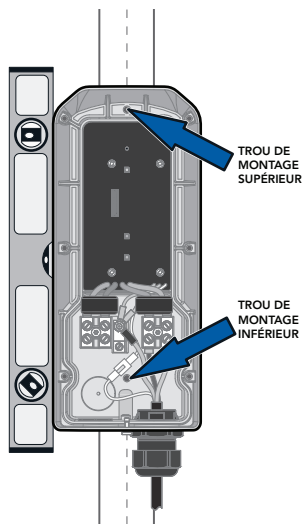


ÉTAPE 4

Pour les installations sur socle, passez à l'étape 5.

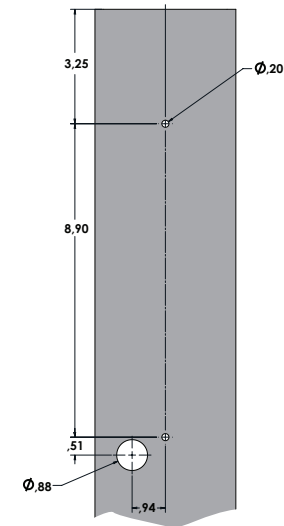
Placez la borne de chargement sur le mur et alignez le point marqué avec le haut. À l'aide d'un embout Torx T25, insérez une vis de montage avec une rondelle d'étanchéité dans le trou de montage supérieur et vissez-la directement dans le mur.

Utilisez le niveau pour niveler la borne de chargement. Fixez la borne de chargement au mur en vissant la seconde vis de montage avec une rondelle d'étanchéité à travers le trou de montage inférieur. Continuez l'installation à l'étape 7.



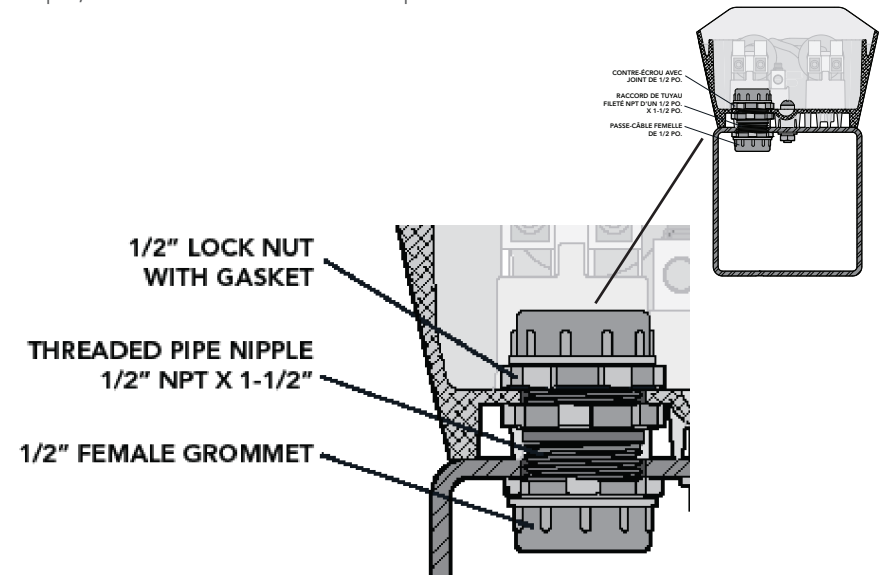
ÉTAPE 5

Pour installer la boîte murale sur un socle, utilisez les dimensions indiquées pour percer les trous sur la face du socle.



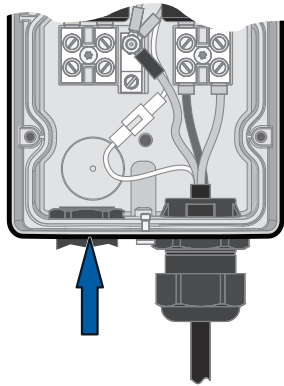
ÉTAPE 6

Pour une installation d'entrée de câble d'alimentation par l'arrière, vous devrez utiliser un raccord de tuyau fileté NPT d'un 1/2 po. x 1-1/2 po. avec trois écrous de blocage d'étanchéité de 1/2 po. et de deux passe-câbles femelles de 1/2 po., comme illustré. Assurez-vous que tous les raccords sont bien serrés.



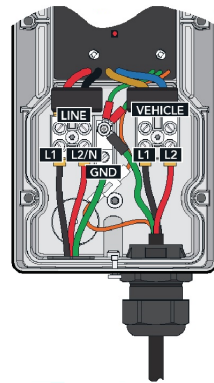
ÉTAPE 7

Pour l'entrée du câble alimentation secteur par le bas, installez le raccord de conduit et serrez le contre-écrou. Utilisez le raccord adapté à la taille de conduit correspondante. Vérifiez que le raccord est conforme aux exigences du code local.



ÉTAPE 8

Effectuez tous les branchements des câbles d'alimentation électrique et de mise à la terre au bornier et à la patte de mise à la terre à l'intérieur du boîtier (voir le câblage pour l'Amérique du Nord en illustration). Serrez les vis du bornier à 20 lb/po.

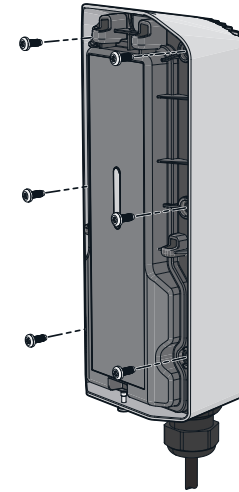


CONFIGURATIONS ÉLECTRIQUES NORD-AMÉRICAINES			
Entrée CA	L1 à TERRE (V)	L2 à TERRE (V)	L1 à L2 (V)
240V déphasé	120V	120V	240V
208V triphasé	120V	120V	208V

NE JAMAIS SE CONNECTER À UNE JAMBE-HAUTE(HIGH-LEG) OU STINGER
La tension doit être de 120 volts de chaque ligne à la terre

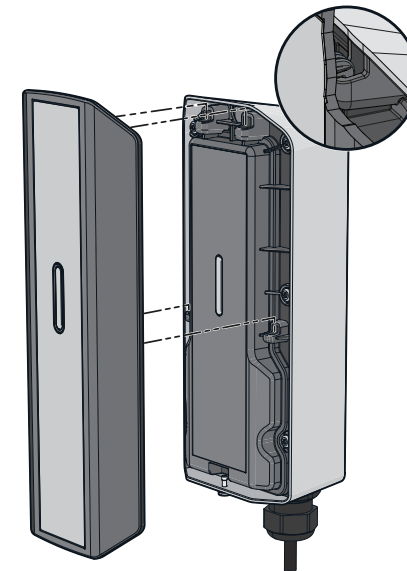
ÉTAPE 9

Installez et fixez le couvercle du système électronique sur le boîtier à l'aide de 6 vis. Les vis doivent être serrées à un minimum de 15 lb/pi.



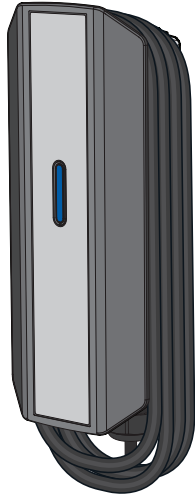
ÉTAPE 10

Fixez la face-avant à l'avant du couvercle des composants électroniques en insérant les loquets dans les trous de montage. Serrez la vis imperdable au bas du boîtier pour fixer le couvercle.



ÉTAPE 11

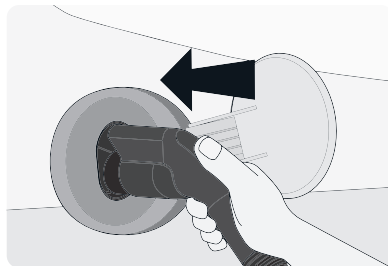
Enroulez le câble de sortie autour du boîtier. Démarrez la procédure de mise en marche du chargeur pour le préparer à être utilisé.



ÉTAPE 12

PROCÉDURE DE MISE EN MARCHÉ :

1. Allumez le disjoncteur.
2. Vérifiez que la borne de chargement est allumée.
3. Lors du démarrage de la borne de chargement TurboDX, le système effectue un autotest pour garantir un bon fonctionnement. Pendant ce test, le voyant indicateur clignotera brièvement en rouge pour confirmer que l'autotest est terminé et que l'appareil est prêt à fonctionner. Le voyant lumineux d'ÉTAT BLEU reste allumé, indiquant que le chargeur reçoit du courant alternatif et est prêt à charger.
4. Branchez le COUPLEUR DE CHARGE à la prise de charge de votre véhicule jusqu'à ce que vous entendiez un déclic. Une fois verrouillé, le COUPLEUR DE CHARGE ne pourra être retiré qu'en actionnant manuellement le bouton de déverrouillage.
5. La charge commencera automatiquement.



SECTION 3

DÉPANNAGE

DÉPANNAGE

Veillez vous référer à ce Guide de dépannage pour des solutions possibles aux problèmes courants ou aux difficultés de chargement de votre véhicule que vous pourriez rencontrer avec votre chargeur portable.

REMARQUE



N'essayez pas de réparer le chargeur par vous-même. Il ne contient aucune pièce réparable par l'utilisateur.

Un voyant d'AVERTISSEMENT ROUGE peut être déclenché par différentes sources, y compris le chargeur, l'alimentation secteur ou le véhicule. Reférez-vous aux conseils de dépannage ci-dessous.

Le voyant d'AVERTISSEMENT ROUGE s'allume lorsque le chargeur détecte un problème, qu'il soit connecté à votre véhicule ou pas. Lorsque le voyant d'AVERTISSEMENT ROUGE est allumé, le chargeur cesse d'alimenter le véhicule.

Problème	Cause possible	Solution
Le voyant D'ÉTAT BLEU DU COUPLEUR ne s'allume pas	Unité non alimentée	Vérifiez le disjoncteur.
	Défaillance interne du coupleur	Contactez le service à la clientèle pour obtenir de l'aide.
Le véhicule ne se charge pas Le voyant d'AVERTISSEMENT ROUGE reste allumé	Le coupleur de charge n'est pas raccordé au véhicule	Vérifiez le coupleur de charge. Retirez le coupleur de charge du véhicule, puis réinsérez-le dans le réceptacle jusqu'à ce que vous entendiez un déclic.
	Le véhicule n'est pas dans un état permettant un chargement	Vérifiez que la minuterie de charge du véhicule est réglée de manière à permettre un chargement. Reportez-vous au manuel du propriétaire du véhicule pour connaître les instructions relatives à la minuterie de charge.
	Erreur de communication entre le chargeur et le véhicule	Contactez le service à la clientèle pour obtenir de l'aide.

Problème	Cause possible	Solution
Le voyant d'AVERTISSEMENT ROUGE clignote rapidement	Défaut du service utilitaire et/ou du fil de terre	<ol style="list-style-type: none"> Redémarrez le chargeur au niveau du disjoncteur. Si le problème persiste, veuillez avoir un électricien qualifié pour l'inspection du circuit utilitaire et du fil de terre. Le fil de terre doit être un fil de cuivre vers le service principal. Effectuez les réparations nécessaires.
	Cas de dépassement des limites de température : <ul style="list-style-type: none"> Température est trop élevée. Le chargeur reprendra la charge quand il sera refroidi. 	<ol style="list-style-type: none"> Vérifiez que le module du chargeur ne surchauffe pas (très chaud au toucher). <ol style="list-style-type: none"> Débranchez le coupleur du véhicule avec précaution et laissez-le refroidir. Si le problème persiste, contactez le service clientèle. Coupez l'alimentation de la boîte murale au niveau du disjoncteur. Faites inspecter l'installation par un électricien qualifié. <ol style="list-style-type: none"> Effectuez les réparations nécessaires.
Le voyant d'AVERTISSEMENT ROUGE s'allume lorsque l'unité est connectée au véhicule Le voyant d'AVERTISSEMENT ROUGE est éteint et le voyant d'ÉTAT BLEU reste allumé lorsque vous débranchez le véhicule	Problème provenant du véhicule	Contactez le service à la clientèle.
Le voyant d'AVERTISSEMENT ROUGE reste allumé même après avoir débranché le véhicule	Défaillance interne du chargeur	Contactez le service à la clientèle pour obtenir de l'aide.
Le voyant d'AVERTISSEMENT ROUGE et le voyant d'ÉTAT BLEU clignent rouge et bleu.	Le chargeur est en train d'essayer de résoudre une erreur interne	Le chargeur devrait reprendre son fonctionnement normal dans la minute qui suit. Si le problème persiste, contactez le service à la clientèle pour obtenir de l'aide.

ANNEXE

SPÉCIFICATIONS

Modèle	EVSE-DX
Intensité du courant d'entrée :	208/240 VCA
Intensité de sortie :	16 ampères en continu à 240/208 VCA 32 ampères en continu à 240/208 VCA
Calibre du disjoncteur :	20 ampères à 240/208 VCA 40 ampères à 240/208 VCA
Fréquence :	50/60 Hz
Consommation électrique en veille :	< 2 watts
Consommation électrique pendant la charge :	< 4 watts
Longueur de fil :	environ 3.7m (12 pi) - 7.6m (25 pi)
Poids : SAE	7,6 kg (16,75 lb)
Température - en fonctionnement :	-40 °C à +55 °C (-40 °F à +131 °F)
Température - stockage et transport :	-40 °C à +80 °C (-40 °F à +176 °F)
Catégorie environnementale :	IP66 (étanche)
Véhicule - Protocole de communication du chargeur :	SAE J1772
Direction de la charge :	Du réseau au véhicule

Les spécifications sont sujettes à changement sans préavis.

AVERTISSEMENT DE HAUTE TENSION

DANGER



Les boîtiers de votre compteur électrique et de votre panneau de distribution d'alimentation contiennent une tension électrique très élevée. Tout contact avec des éléments sous haute tension peut entraîner la mort ou des blessures graves.

ATTENTION



N'utilisez JAMAIS votre chargeur avec un câble de sortie, un coupleur de charge ou un module endommagé. Inspectez visuellement le câble de sortie, le coupleur de charge et le module du chargeur pour vous assurer qu'il n'est pas endommagé avant chaque utilisation. Si vous décelez un quelconque dommage, cessez immédiatement d'utiliser le chargeur et contactez le support à la clientèle.

ATTENTION



Veillez TOUJOURS positionner le câble de sortie du chargeur de sorte qu'il ne puisse pas être entraîné, piétiné, empêtré, endommagé ou soumis à d'autres risques similaires. Pour éviter toute blessure corporelle et tout endommagement du chargeur, vous devriez TOUJOURS le ranger sur son support ou dans son sac de rangement après son utilisation.

ATTENTION



N'utilisez le chargeur uniquement que pour alimenter des véhicules électriques équipés d'un réceptacle conforme à la norme SAE J1772. Pour plus d'informations, reportez-vous au manuel du propriétaire du véhicule.

REMARQUE



Débranchez le chargeur de la prise murale avant de le nettoyer. Pour nettoyer le chargeur, essuyez-le avec un chiffon propre imbibé d'eau ou d'une solution détergente douce adaptée à un usage sur peinture automobile. N'utilisez pas de produits chimiques ou de solvants. Ne submergez pas le chargeur dans l'eau.

AVERTISSEMENTS RELATIFS À LA PROPOSITION 65 DE L'ÉTAT DE CALIFORNIE

ATTENTION



Ce produit contient un produit chimique reconnu par l'État de Californie comme pouvant causer le cancer, des anomalies congénitales ou des effets nocifs sur les organes reproducteurs.

INFORMATIONS DE LA FCC

Cet appareil est conforme à l'alinéa 15 des règlements de la FCC. Son utilisation est soumise aux deux conditions suivantes :

- Cet appareil ne doit pas causer d'interférences nuisibles.
- Cet appareil doit accepter toutes les interférences reçues, y compris celles susceptibles de provoquer un fonctionnement indésirable.

Ce produit a été conçu pour protéger contre les brouillages radioélectriques (RFI). Toutefois, dans certains cas, des signaux radio de forte puissance ou des équipements émetteurs de RF à proximité (tels que des téléphones numériques, des équipements de communication RF, etc.) peuvent affecter le fonctionnement de l'appareil.

Si vous estimez que votre chargeur est soumis à des interférences, suivez les étapes ci-dessous avant de contacter le support à la clientèle :

1. Éloignez tous appareils ou équipements électriques à proximité pendant la charge.
2. Éteignez tous appareils ou équipements électriques à proximité pendant la charge.

Important ! Toute modification apportée à ce produit par une personne autre qu'un fournisseur de services agréé annulera la conformité à la FCC.

DISPOSITIFS DE SÉCURITÉ

Le chargeur a été conçu en ayant pour priorité absolue votre sécurité et est équipé des dispositifs de sécurité suivants pour vous protéger contre le risque de choc électrique :

- **Vérification de mise à la terre** : le chargeur vérifie en permanence la présence d'une connexion de masse du service. En cas de défaillance de la mise à la terre, le voyant d'AVERTISSEMENT ROUGE du chargeur s'allumera et coupera l'alimentation du véhicule.
- **Capteur d'événement thermique** : le module de chargeur peut détecter les événements thermiques ordinaires et éteindre l'appareil en conséquence.
- **Protection GFCI** : le chargeur est équipé d'un système de disjoncteur de fuite de terre (GFCI) conçu pour protéger l'appareil contre les chocs électriques. Si le module du chargeur détecte un défaut à la terre, il coupera l'alimentation du câble de sortie et allumera le voyant d'AVERTISSEMENT ROUGE.
- **Isolation** : le module de charge, l'adaptateur, le câble et le coupleur de charge sont entièrement isolés (aucune partie sous tension n'est exposée) pour les protéger contre les chocs électriques.
- **Déconnexion involontaire** : le coupleur de charge est conçu pour minimiser les déconnexions involontaires. Un fil de signal pilote à l'intérieur du câble et du coupleur de charge élimine le risque de choc électrique lorsque vous n'êtes pas connecté à un véhicule ou si une déconnexion involontaire se produit pendant la charge. Une déconnexion pendant la charge ne pose aucun danger.

GARANTIE LIMITÉE

GARANTIE LIMITÉE DU CHARGEUR TURBODX



CONSERVEZ VOTRE TICKET D'ACHAT POUR TOUTES RÉCLAMATIONS DE GARANTIE.

Les produits fabriqués par Webasto sont garantis au client d'origine contre tout défaut de matériel et de fabrication pendant une période de trente-six (36) mois à compter de la date d'installation, à l'exception du connecteur qui est limité à douze (12) mois à compter de la date d'installation. Si le produit est installé par Webasto ou ses représentants agréés, Webasto garantit que l'installation des produits sera exempte de vices de fabrication pendant une période de trente-six (36) mois à compter de la date d'installation.

CECI CONSTITUE LA SEULE GARANTIE EXCLUSIVE DONNÉE PAR WEBASTO EN CE QUI CONCERNE LES PRODUITS ET SON INSTALLATION, ET EXCLUT TOUTES LES AUTRES GARANTIES, EXPRESSES OU IMPLICITES, DÉCOULANT DE L'APPLICATION DE LA LOI OU AUTRE RÈGLEMENT, Y COMPRIS MAIS SANS S'Y LIMITER, LA QUALITÉ MARCHANDE OU L'ADÉQUATION À UN USAGE PARTICULIER DU PRODUIT, QUE CET USAGE OU UTILISATION AIT ÉTÉ SIGNALÉ OU NON À WEBASTO, DANS DES SPÉCIFICATIONS, DES DESSINS OU SOUS TOUTE AUTRE FORME, ET SI LES PRODUITS DE WEBASTO SONT SPÉCIFIQUEMENT CONÇUS ET/OU FABRIQUÉS À DES FINS UTILISÉES PAR LE CLIENT.

La responsabilité de Webasto au titre de cette garantie sera limitée à la réparation ou au remplacement des produits défectueux, à la discrétion de Webasto et sans frais, de tout produit fabriqué par Webasto. Webasto ne saura être tenue responsable des coûts d'extraction, d'élimination, d'installation, de transport ou de tout autre frais pouvant découler d'une réclamation au titre de la garantie. Cette garantie sera annulée en cas d'une détérioration ou d'une usure quelconque des produits causées par des conditions de fonctionnement anormales (y compris une exposition à des acides, des émanations chimiques, des poussières métalliques ou des températures extrêmes), un accident, une utilisation abusive, un dégât, une utilisation inappropriée, des surtensions électriques ou toute modification ou réparation effectuée par une personne non agréée ou autorisée par écrit par Webasto, ou si le produit n'a pas été utilisé ou entretenu dans le strict respect des instructions contenues dans les modes d'emploi fournis par Webasto. Toute preuve d'une tentative de désassemblage ou de rétro-ingénierie des produits entraînera une annulation de la garantie. Webasto demeure le juge final en ce qui concerne la présence de faits qui permettent de conclure l'annulation de la garantie.

Pour obtenir une réparation dans le cadre de cette garantie, le produit défectueux doit : 1) avoir été installé par Webasto ou son représentant agréé et utilisé conformément au mode d'emploi imprimé par Webasto, 2) avoir été enregistré auprès de Webasto par le client lors de l'installation pour activer la garantie, et 3) être en mesure de soumettre une preuve d'achat (incluant la date d'installation), la date de défaillance et toutes les informations pertinentes concernant l'installation et le fonctionnement de l'unité.

Envoyez votre carte à : Webasto Charging Systems, Inc., 1960, avenue Walker, Monrovia, CA 91016, aussitôt après l'installation pour activer la garantie. Pour obtenir une assistance supplémentaire concernant la garantie, appelez le 888-833-2148.

Nom du client

Adresse

.....

Téléphone

Courriel.....

Date d'achat

Numéro de série

PLACEZ
L'AUTOCOLLANT DU
NUMÉRO DE SÉRIE
ICI

Pour télécharger le manuel d'utilisation :
veuillez visiter www.evsolutions.com/ev-charging-product-resources

