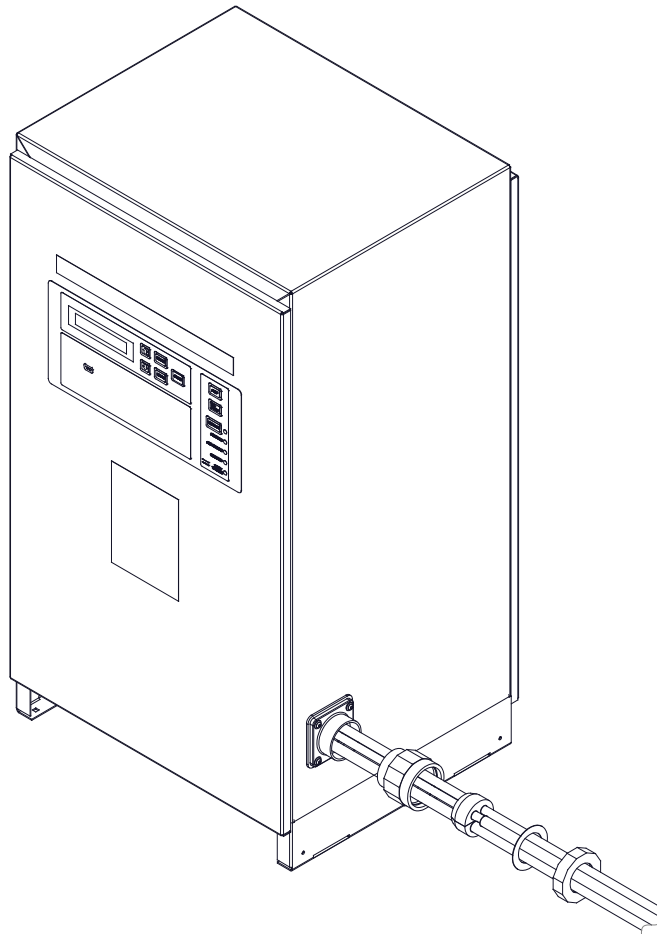


Installation Manual

GSE Fast Charging System

Hub Connector Installation Guidelines

For SVS



© 2019 Webasto Charging Systems, Inc. All rights reserved.

PosiCharge™ systems is a product line of Webasto Charging Systems, Inc. Webasto and the Webasto logo are trademarks of Webasto Charging Systems, Inc. Corporate names, trademarks, registered trademarks, service marks, symbols, and logos stated herein are property of their respective companies. Specifications are subject to change without notice. Images of the power cycling and test systems are representative; production models may vary. No portion of these materials may be duplicated, used, or disclosed without prior written permission from Webasto Charging Systems, Inc.

Disclaimer: this manual includes the latest information available at the time of printing. Webasto Charging Systems, Inc. Reserves the right to make changes to this manual and/or product without further notice. Changes or modifications to this product not completed by an authorized service provider could void the product warranty.

These commodities, technology or software were exported from the United States in accordance with the Export Administration Regulations. Diversion contrary to US law prohibited

PosiCharge™ systems, a product line of Webasto Charging Systems, Inc...
1.866.767.4242 | info@posicharge.com | @posicharge | posicharge.com
© 2019 Webasto Charging Systems Inc.

TABLE OF CONTENTS


1	SCOPE	4
2	SAFETY PRECAUTIONS	4
3	EURO HUB CONNECTOR INSTALLATION	5
3.1	PARTS INCLUDED.....	5
3.2	INSTALLATION OF CABLE CONNECTOR.....	6
4	BURTON HUB CONNECTOR INSTALLATION	8
4.1	PARTS INCLUDED.....	8
4.2	INSTALLATION OF CABLE CONNECTOR.....	8
5	SYSTEM STARTUP	10


1 Scope

This manual describes specific installation guidelines for attaching a cable assembly to the Webasto Charging systems Inc. SVS (part number 11000).

2 Safety Precautions

Important: Read Section 2 “Safety Precautions “of the PosiCharge GSE Fast Charging System Operation and Maintenance Manual P.N. 11000-W-03.

 <p>CAUTION BEFORE YOU BEGIN</p>	<ul style="list-style-type: none">• Read all instructions and cautionary markings on the Industrial PosiCharge GSE Assembly.• Make sure you also read the IMPORTANT SAFETY INSTRUCTIONS below.• Be sure to leave these instructions in a safe and easily accessible location for future reference.• Only qualified personnel, familiar with the local code, should install and service this charger.• Read and understand the manufacture’s instructions and your employer’s safety practices manual.
--	---

 <p>DANGER</p>	<p>ELECTRIC SHOCK CAN KILL: Touching live electrical parts can cause fatal shocks or severe burns. The battery terminals are always electrically live, and the output circuit is live whenever the battery is connected or being charged. The input power circuitry and internal circuits are live whenever input power is on. An incorrectly installed or improperly grounded charger is a hazard.</p>
--	--

3 Euro Hub Connector Installation

3.1 Parts Included

1. Threaded Cap
2. Stainless Steel Washer
3. Rubber Grommet
4. Hub Connector Body
5. Reducer Bushing
6. Aluminum Retainer Ring – Included inside Hub Connector Assembly
7. Teflon Washer – Included inside Hub Connector Assembly
8. Rubber Grommet – Included inside Hub Connector Assembly

Refer to Figure 1 below for a pictorial of these parts.

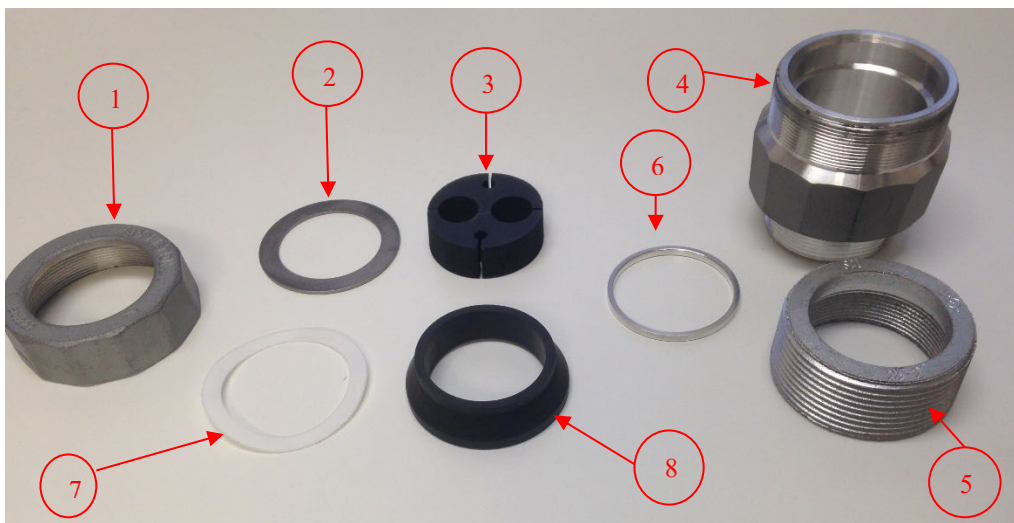


Figure 1: Included Parts

3.2 Installation of Cable Connector

1. Disassemble the Hub Connector and discard the Aluminum Retainer Ring (6), Teflon Washer (7) and Rubber Grommet (8) included inside that assembly.
2. Install the Hub Connector bodies (4) into hubs on the side of SVS
3. Install the Threaded Cap (1) over cables from the lug end, threads facing lugs.
4. Install the SS Washer (2) over cables from the lug end.
5. Feed the four cables from each cable assembly through the Hub Connector Body (4)

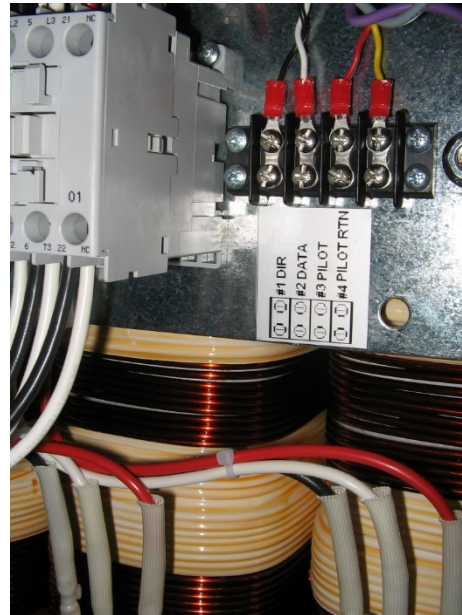


Figure 2: Electrical Connections

6. Connect the negative and positive lugs to the terminal posts allowing service loop as shown in Figure 2.
7. Connect the small communication lugs to the terminal strips as shown in Figure 2. Wires are numbered to match the labeling on the SVS, as well as the numbering on the plug and receptacle of the Hub Connector.
8. Install the Rubber Grommet (3) and insert the appropriate power or communication cable into the slots. The grommet should be placed on the cables as close to the feed through as possible.
9. Push the Rubber Grommet (3) into the Hub Connector Body (4).
10. Slide the Stainless Steel Washer (2) and Threaded Cap (1) up to the fitting, and tighten until the Rubber Grommet (3) is compressed tightly.

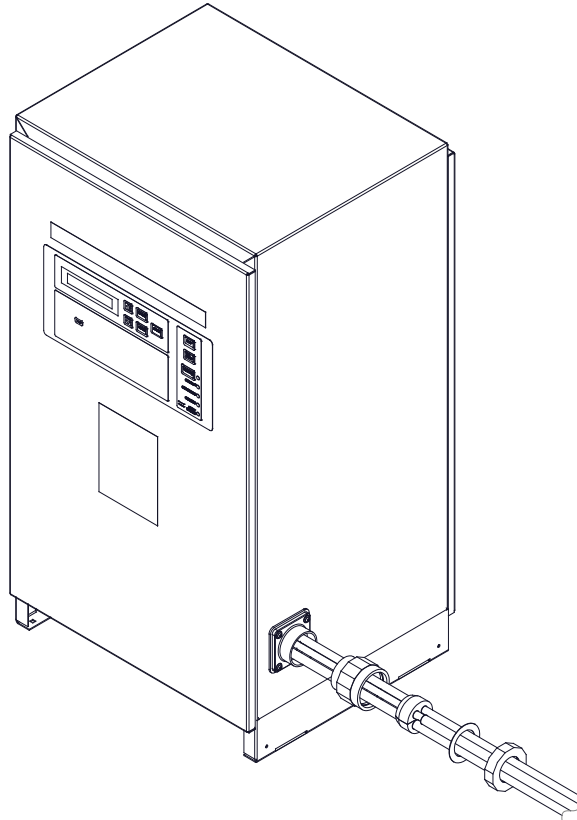


Figure 4: Grommet Installation

11. Install two zip ties around the cables at 2" and 4" from the threaded cap, outside the unit. Use heavy-duty zip ties that are rated for outdoor use such as Panduit® PLT5H-L0.
12. Install one zip tie around the cables at 3" from the inside wall, inside the unit.

4 Burton Hub Connector Installation

4.1 Parts Included

1. Threaded Cap
2. Split Rubber Grommet
3. Hub Connector Body
4. Washer – Included inside Hub Connector Assembly
5. Rubber Grommet – Included inside Hub Connector Assembly

Refer to figure 1 below for a pictorial of these parts.



Figure 3: Included Parts

4.2 Installation of Cable Connector

13. Disassemble the Hub Connector and discard the Rubber Grommet (5) included inside that assembly.
14. Install the Hub Connector bodies (3) into hubs on the side of SVS
15. Install the Threaded Cap (1) over cables from the lug end, threads facing lugs.
16. Install the Washer (4) over cables from the lug end.
17. Feed the four cables from each cable assembly through the Split Rubber Grommet (2)

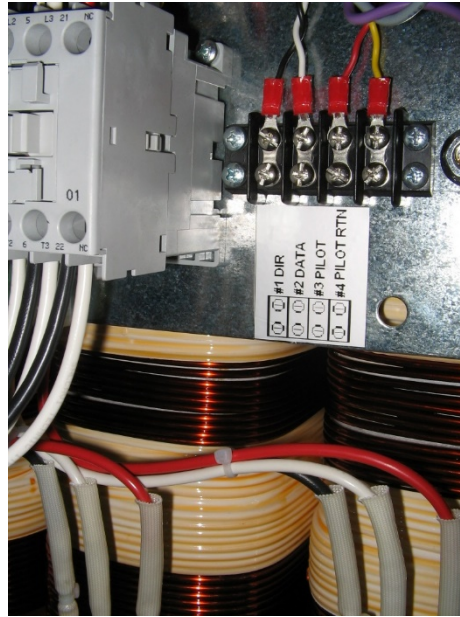


Figure 4: Electrical Connections

18. Connect the negative and positive lugs to the terminal posts allowing service loop as shown in Figure 2.
19. Connect the small communication lugs to the terminal strips as shown in Figure 2. Wires are numbered to match the labeling on the SVS, as well as the numbering on the plug and receptacle of the Hub Connector.

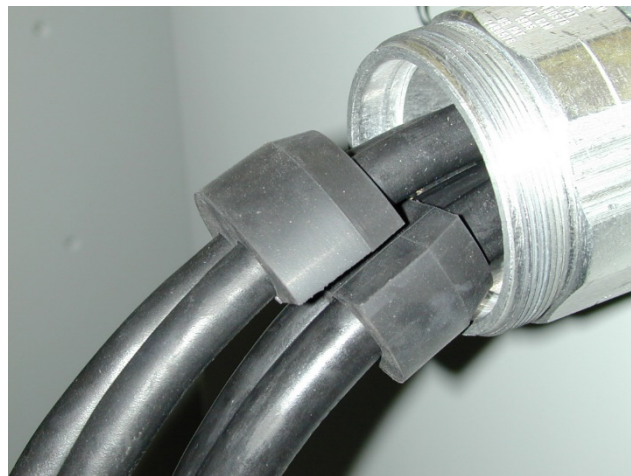


Figure 5: Grommet Installation

20. Install the Split Rubber Grommet (6) by separating the two halves and inserting the appropriate power or communication cable into the slots. **Important: One-half of the grommet has smaller holes, to fit the smaller diameter communication cables. The other half of the grommet has larger holes, to fit the larger diameter negative and positive cables.** The grommet should be placed on the cables as close to the feed through as possible, with the tapered side facing the cable connector body (3). See Figure 3.

21. Push the Split Rubber Grommet (2) into the Hub Connector body, making sure that the two halves line up and there are no large gaps.
22. Slide the Washer (4) and Threaded Cap (1) up to the fitting and tighten until the Split Rubber Grommet (2) is compressed tightly. See Figure 4.

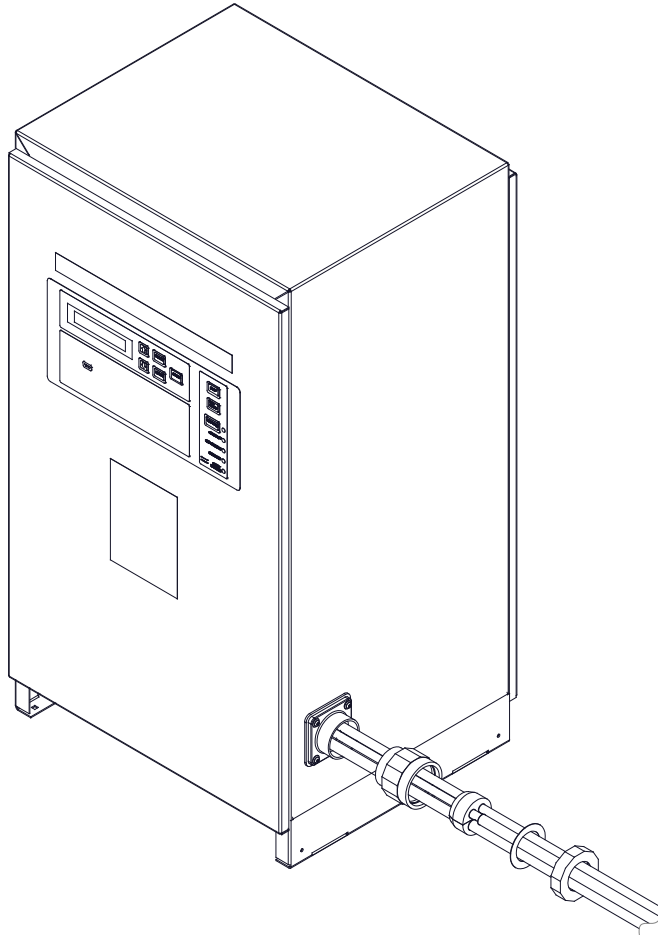


Figure 4: Grommet Installation

23. Install two zip ties around the cables at 2" and 4" from the threaded cap, outside the unit. Use heavy-duty zip ties that are rated for outdoor use such as Panduit® PLT5H-L0.
24. Install one zip tie around the cables at 3" from the inside wall, inside the unit.

5 System Startup

After the installation is complete, refer to "System Start Up" in the PosiCharge™ GSE Fast Charging System Operation and Maintenance Manual part number 11000-W-03